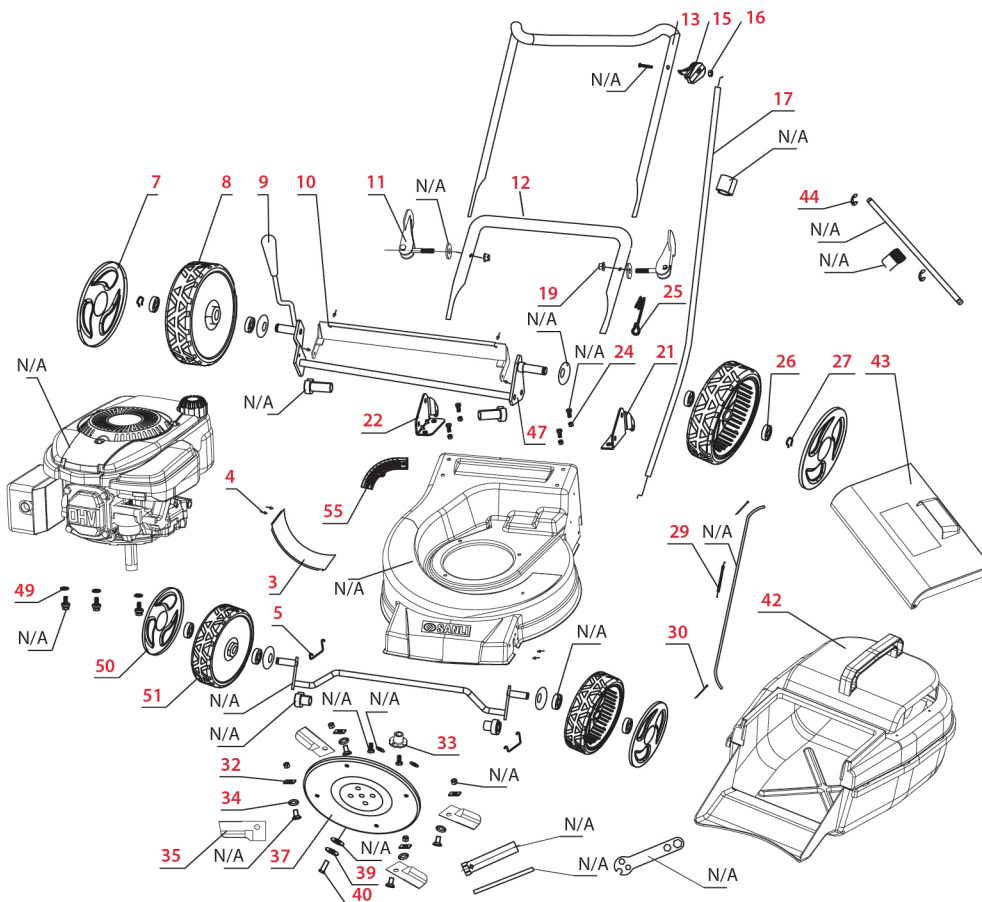


LASER MULCH LMS400

Item No.	Part No.	Description
3	SL46-8T01102	Front skirt
4	GB/T12618-1990	Rivet 5 x 10
7	SL46-5T07102	Rear wheel hub cap
8	SL46-5T07010	Rear wheel
9	SL42T-03012	Height adjuster lever
10	SL46-8T07303	Rear axle shield
11	SL40T-A05050	Handle knob
12	SL46-5T05102	Lower handle
13	SL46-5T05101	Upper handle
15	SL46-5T05010	Throttle lever assembly
16	GB/T6177.1-2000	Nut M6
17	SL42Z-05050	Throttle cable (LMS400)
19	GB/T6187.1-2000	Nut M8
21	S01-050004	Left handle mounting plate
22	S01-050005	Right handle mounting plate
24	GB/T6187.1-2000	Nut M8
25	SL42T-05108	Starter hook
27	SL42T-07105	Wheel clip

Item No.	Part No.	Description
29	SL42T-03103	Extention spring
30	GB/91-1986	Split pins 2 x 20
32	SL46-8T02106	Blade plate
33	SL46T02101	Blade boss
34	SL46-8T02104	Washer
35	KSP-CB1	Blade/bolt/nut & washer (LMS)
37	SL46-8T02103	Blade disc
40	SL40T-A02102	Blade disc bolt
42	SL46-8T04010H	Catcher handle
43	SL46-5ZA04101	Rear flap
47	SL46-5T03001	Rear axle assembly with height adjuster
50	SL46-C07102	Front wheel hub cap (grey)
	SL42T-07102	Front wheel hub cap (yellow)
51	SL42T-07010	Front wheel
55	SL46T4-01102	Height adjuster segment
	SL46-8T04108	Mulch plug
	SL46-8T04102	Rear flap



Picture for illustration purposes only.