

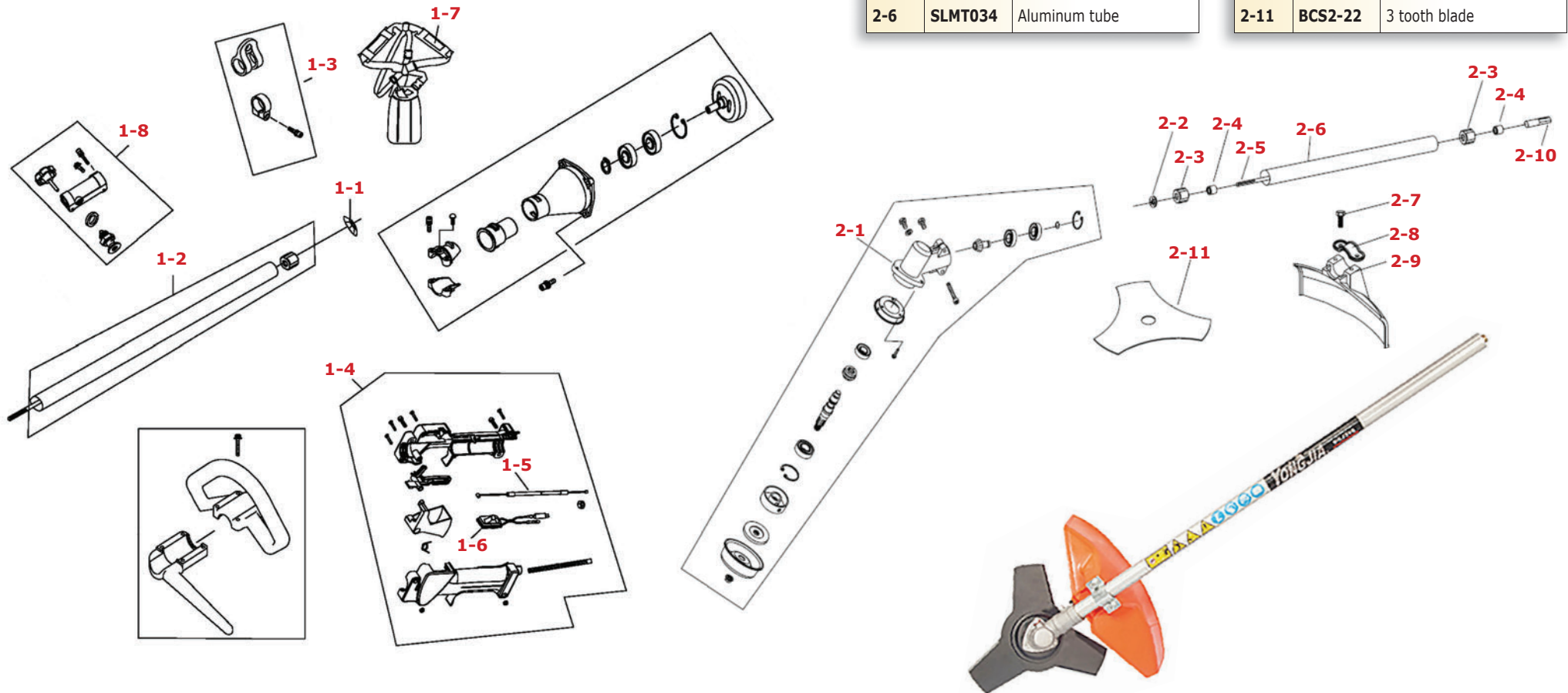
# SANLI Multi-Tool DGJ260N

Item No.	Part No.	Description
<b>Extension Pole</b>		
1-1	SLMT002	Washer
1-2	SLMT003	Pipe joint
1-3	SLMT004	Harness clip
1-4	SLMT005	Control box

Item No.	Part No.	Description
<b>Extension Pole</b>		
1-5	SLMT006	Throttle cable
1-6	SLMT007	Stop switch
1-7	SLMT008	Harness assembly
1-8	SLMT009	Coupling assembly

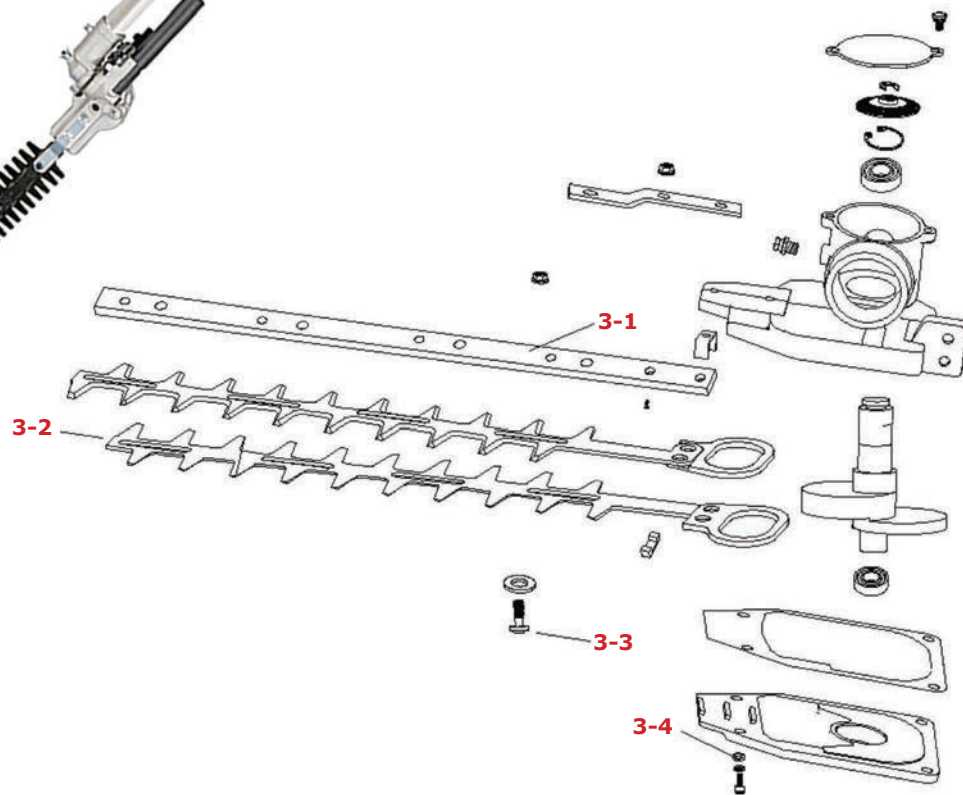
Item No.	Part No.	Description
<b>Brushcutter Attachment</b>		
2-1	SLMT029	Gearbox
2-2	SLMT002	Locking plate
2-3	SLMT031	Rubber sleeve
2-4	SLMT032	Oil bearing
2-5	SLMT033	Hard shaft
2-6	SLMT034	Aluminum tube

Item No.	Part No.	Description
<b>Brushcutter Attachment</b>		
2-7	SLMT035	Screw combination M6 x 20
2-8	SLMT036	Cutter shield pressing plate
2-9	SLMT037	Cutter guard
2-10	SLMT038	Coupling
2-11	BCS2-22	3 tooth blade

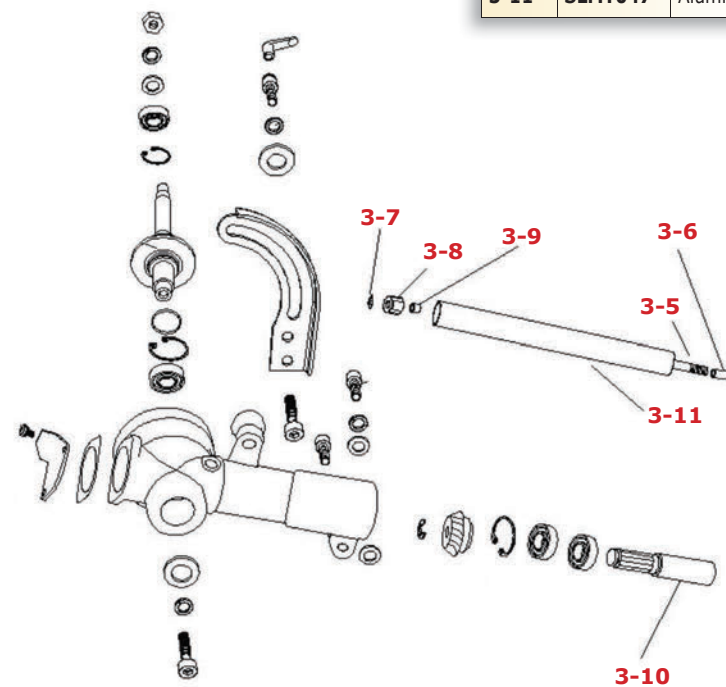




Item No.	Part No.	Description
<b>Hedge Trimmer Attachment</b>		
3-1	SLMT039	Scissor Guide
3-2	SLMT040	Scissors combination
3-3	SLMT041	Big head screw

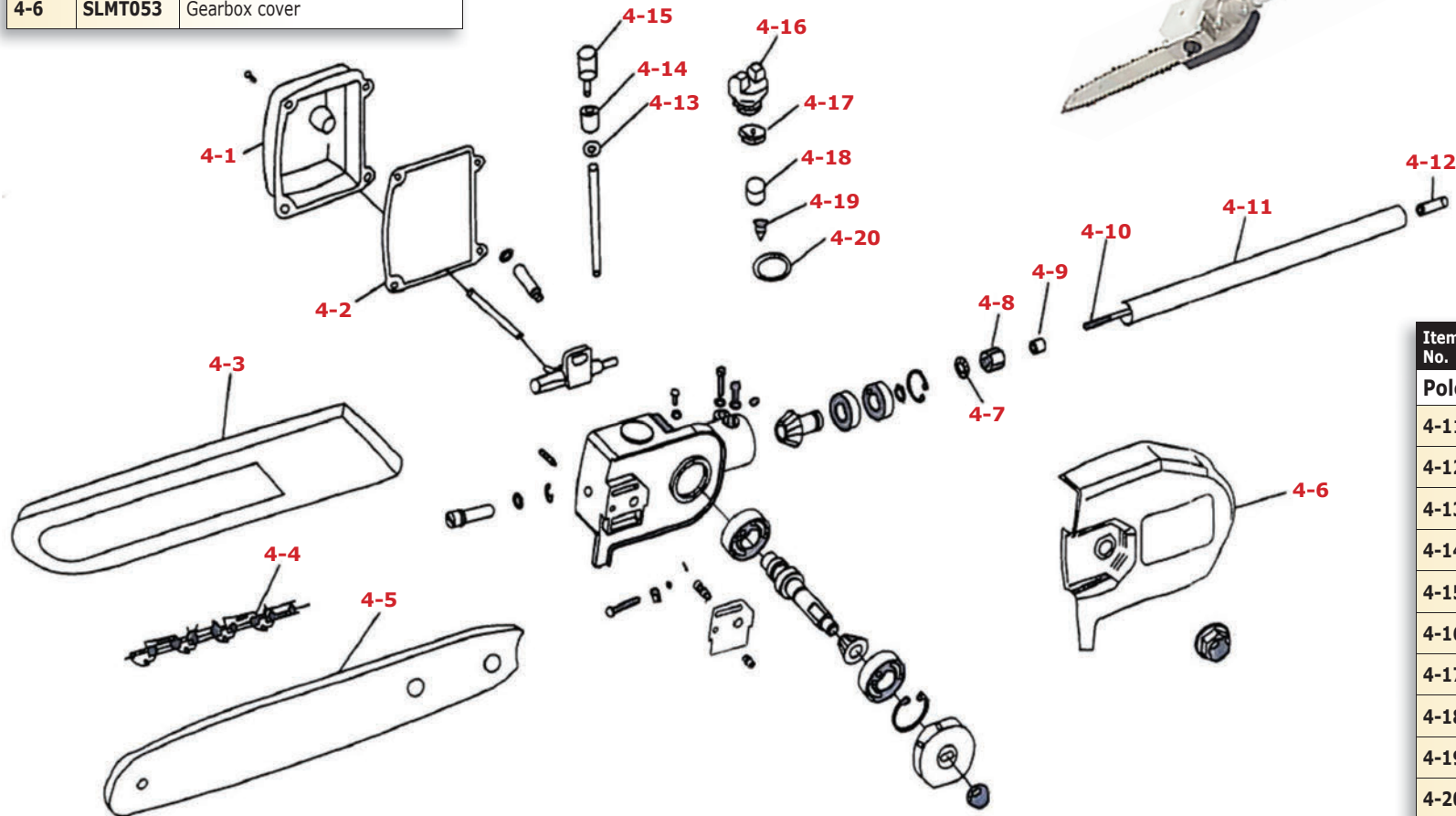


Item No.	Part No.	Description
<b>Hedge Trimmer Attachment</b>		
3-4	SLMT042	Flat pad 4
3-5	SLMT033	Hard shaft
3-6	SLMT038	Coupling B
3-7	SLMT002	Locking plate
3-8	SLMT031	Rubber sleeve
3-9	SLMT032	Oil bearing
3-10	SLMT046	Key shaft
3-11	SLMT047	Aluminum tube



Item No.	Part No.	Description
<b>Pole Saw Attachment</b>		
4-1	SLMT048	Box cover
4-2	SLMT049	Box gasket
4-3	SLMT050	Guide bar cover
4-4	SLMT051	Saw chain
4-5	SLMT052	Guide bar
4-6	SLMT053	Gearbox cover

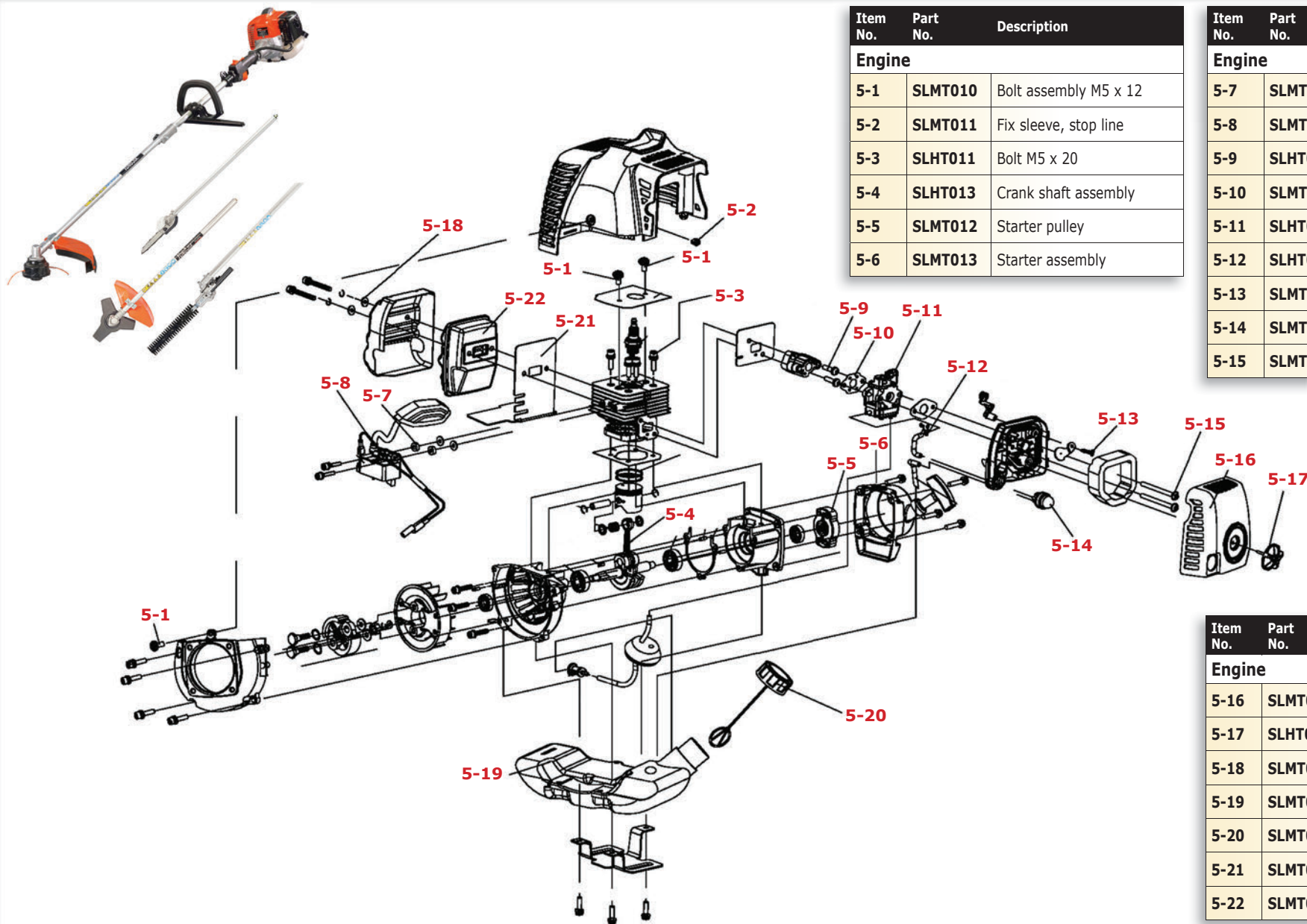
Item No.	Part No.	Description
<b>Pole Saw Attachment</b>		
4-7	SLMT002	Locking plate
4-8	SLMT031	Transmission shaft rubber sleeve
4-9	SLMT032	Oil bearing
4-10	SLMT033	Hard shaft



Item No.	Part No.	Description
<b>Pole Saw Attachment</b>		
4-11	SLMT055	Aluminum tube
4-12	SLMT038	Coupling B
4-13	SLMT057	Enlarged flat pad 5
4-14	SLMT058	Filter screen
4-15	SLMT059	Filter
4-16	SLMT060	Oil cap
4-17	SLMT061	Oil inner cover
4-18	SLMT062	Filter element
4-19	SLMT063	Check valve
4-20	SLMT064	O-ring



# SANLI Multi-Tool DGJ260N



Item No.	Part No.	Description
<b>Engine</b>		
5-1	SLMT010	Bolt assembly M5 x 12
5-2	SLMT011	Fix sleeve, stop line
5-3	SLHT011	Bolt M5 x 20
5-4	SLHT013	Crank shaft assembly
5-5	SLMT012	Starter pulley
5-6	SLMT013	Starter assembly

Item No.	Part No.	Description
<b>Engine</b>		
5-7	SLMT014	Ignition coil spacer
5-8	SLMT015	Ignition coil
5-9	SLHT019	Bolt assembly M5 x 20
5-10	SLMT017	Carburettor gasket
5-11	SLHT021	Carburettor assembly
5-12	SLHT028	Pipe clip
5-13	SLMT020	Bolt ST3 x 12
5-14	SLMT021	Primer pump assembly
5-15	SLMT022	Bolt assembly M5 x 60

Item No.	Part No.	Description
<b>Engine</b>		
5-16	SLMT023	Cleaner cover
5-17	SLHT030	Knob cover
5-18	SLMT024	Washer 5
5-19	SLMT025	Fuel tank
5-20	SLMT026	Fuel tank cap
5-21	SLMT027	Muffler gasket
5-22	SLMT028	Muffler assembly